

# Maintenance Shaft Order Form / Quote

## Customer Details

Store: \_\_\_\_\_ Job Reference: \_\_\_\_\_  
Contact: \_\_\_\_\_ Phone: \_\_\_\_\_  
Address: \_\_\_\_\_  
Email: \_\_\_\_\_  
Quote #: \_\_\_\_\_ Order #: \_\_\_\_\_

Delivery Date requested: \_\_\_\_\_  
(While Aymroo will endeavour to meet requested date, order will be pending current production lead times, stock & shipping)

### Options (tick)

Connection Type:  SWJ  RRJ  RibTek  
Riser Diameter:  225  300  
Cap:  Locking  Threaded

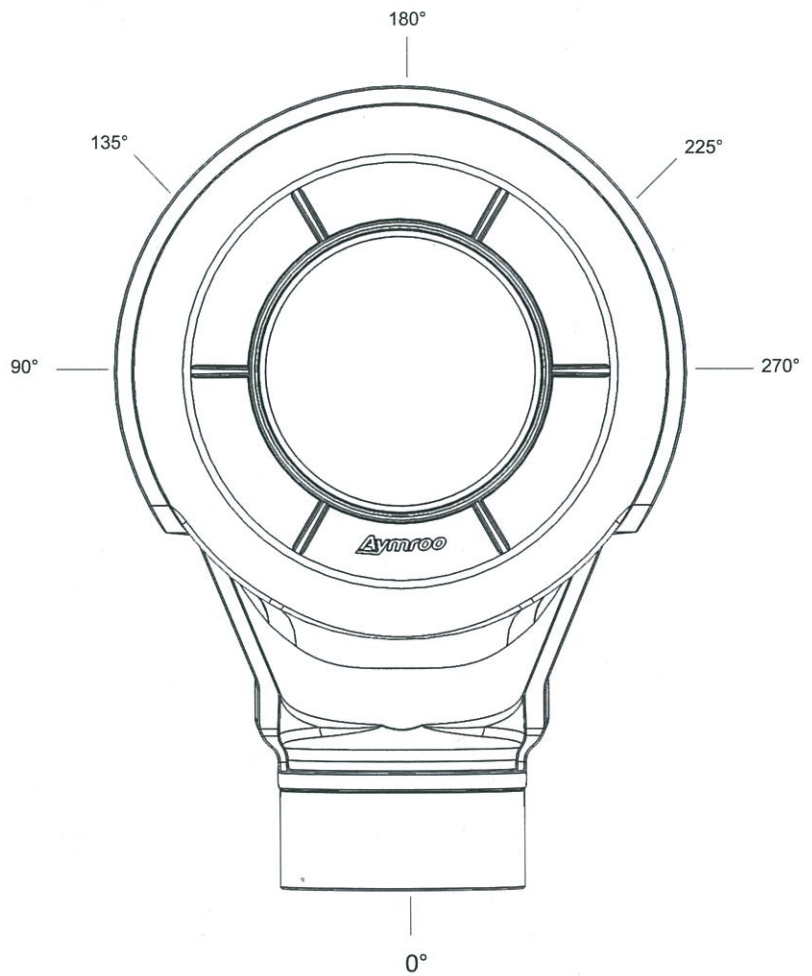
### Accessories

Riser Junction:  M&F  F&F  
Kicker Bend:  1°  2°  3°  4°  5°  
Vario Bend:  635mm rad  3m rad  
Riser shroud pipe:  375 PVC  
Trafficable Cover Required:  Class B (concrete encased)  
 Class D (lid & frame only)  
 Top Hat (class D inc. shroud)

MS Reference/Name: \_\_\_\_\_

**Inlet #1**  
Diameter 100mm / 150mm / 225mm  
Deflection \_\_\_\_\_ 90-270°  
Grade \_\_\_\_\_ %  
Invert Height \_\_\_\_\_ mm (min. 30mm)

**Inlet #2**  
Diameter 100mm / 150mm / 225mm  
Deflection \_\_\_\_\_ 90-270°  
Grade \_\_\_\_\_ %  
Invert Height \_\_\_\_\_ mm (min.30mm)



**Outlet**  
100mm / 150mm / 225mm  
Outlet—0°  
1% grade

### Return Form To

Fax: 1300 052 857  
Email: sales@aymroo.com.au  
Sales Rep: \_\_\_\_\_

### Comments

\_\_\_\_\_  
\_\_\_\_\_  
\_\_\_\_\_

### Customer Signature:

Date: \_\_\_\_\_

**Disclaimer:** Aymroo Maintenance Shafts are made to order items. All products sold by Aymroo to its customers are strictly in accordance with Aymroo's standard Terms and Conditions of Sale Agreement. By Signing and submitting this order form, the customer acknowledges AYMROO will not accept any Goods returned for credit were the Goods have been manufactured to specifically meet the order of The Customer, such as special fabrications or Maintenance Shafts.