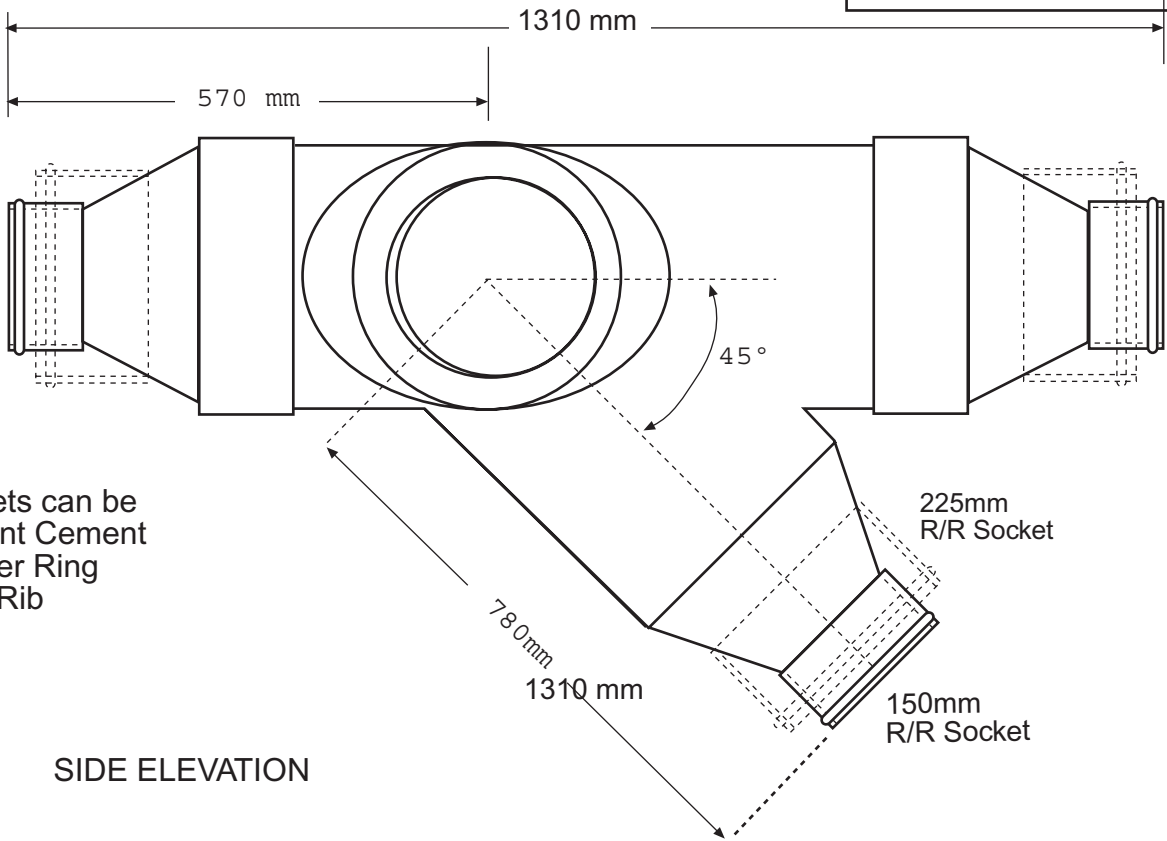


AYMROO PTY.LTD.
1/5 KERR ROAD
INGLEBURN N.S.W.
(02) 9605 8751
FREE FAX 1800 357 551
MAINTENANCE SHAFT FITTING
150 x 150 x 45° JUNCTION
MATERIAL:- uP.V.C.
DRG. No.: AYM 1260-12
CHECK
DATE: 04.04.2001

Not to scale

PLAN VIEW



Sockets can be
Solvent Cement
Rubber Ring
Ultra Rib

SIDE ELEVATION

